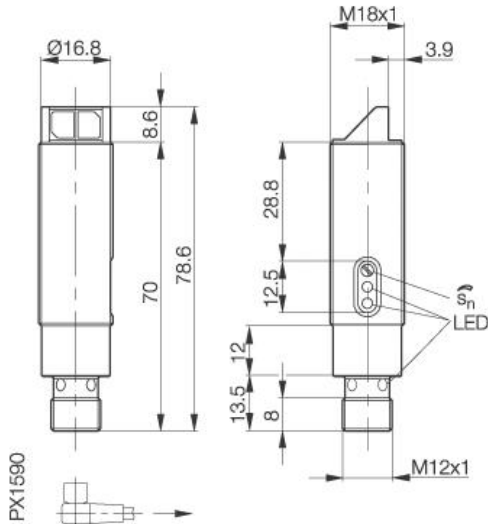


Photoelectric Sensor
BOS 18MR-PS-1QB-E5-C-S4
Sn=2000mm
Retroreflective



Common Data

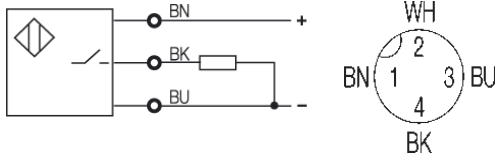
Series	18MR
Sensortype	Retroreflective
Switching frequency	1000 Hz
Rated operating distance Sn in mm	2000
asured operating distance Sa	adjustable
Repeat accuracy	< 5% from Sn
Hysteresis	< 10%
Indication Switching element on	yes
Indication Special funktion	Stability-indication
Ambient temperature	-25...+55°C
On-delay	< 0,5ms
Light	Red light
Sensitivity Adjustment	Poti
Special funktion	Polarizing filter
Permissable ambient light	10000 Lux
Output funktion	dark-on

Mechanical Data

Measurements	M18x78,6
Shock	Halfsinus, 30gn, 11ms
Vibration	10...55Hz, 1,5mm Amplitude 3x2h
Housing material	nickel plated brass
Material of sensing face	Glass
Degree of protection	IP67
Connection	Connector S4 (M12)
Weigth	57g
Recommended connector	BKS-S20-3

Electrical Data

Current	DC
Switching funktion	normally-open
Output	PNP
Rated operational voltage Ue	24V
Rated operational current Ie	200mA
Supply Voltage	10...36V DC
Ripple	< 20% from UB
Frequency of Supply Voltage	DC
No-load supply current	<20mA
Voltage drop	<2V
Short protection	yes
Protected against polarity reversal	yes



Utilization categories
 Insulation class

DC13

Datasheet number:

Definitions see general catalog.
 If not otherwise noted, ratings according to
 IEC 60947-5-2 (DIN EN60947-5-2)

Balluff GmbH
 Schurwaldstrasse 9
 73765 Neuhausen a.d.F.
 Phone (07158) 173-0 Fax (07158) 5010

Datenblatt by CD-ROM - 04/2007

